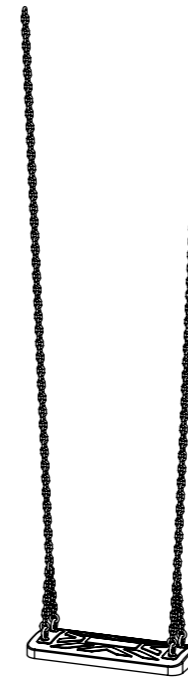
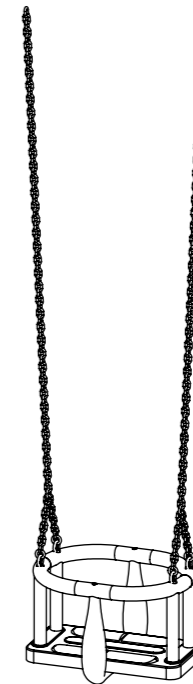




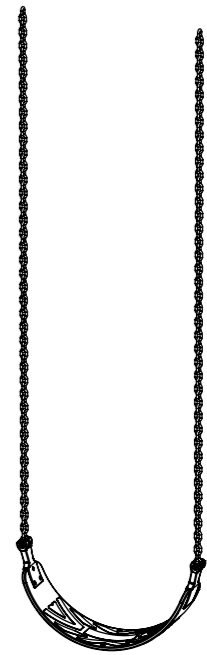
SSP 15

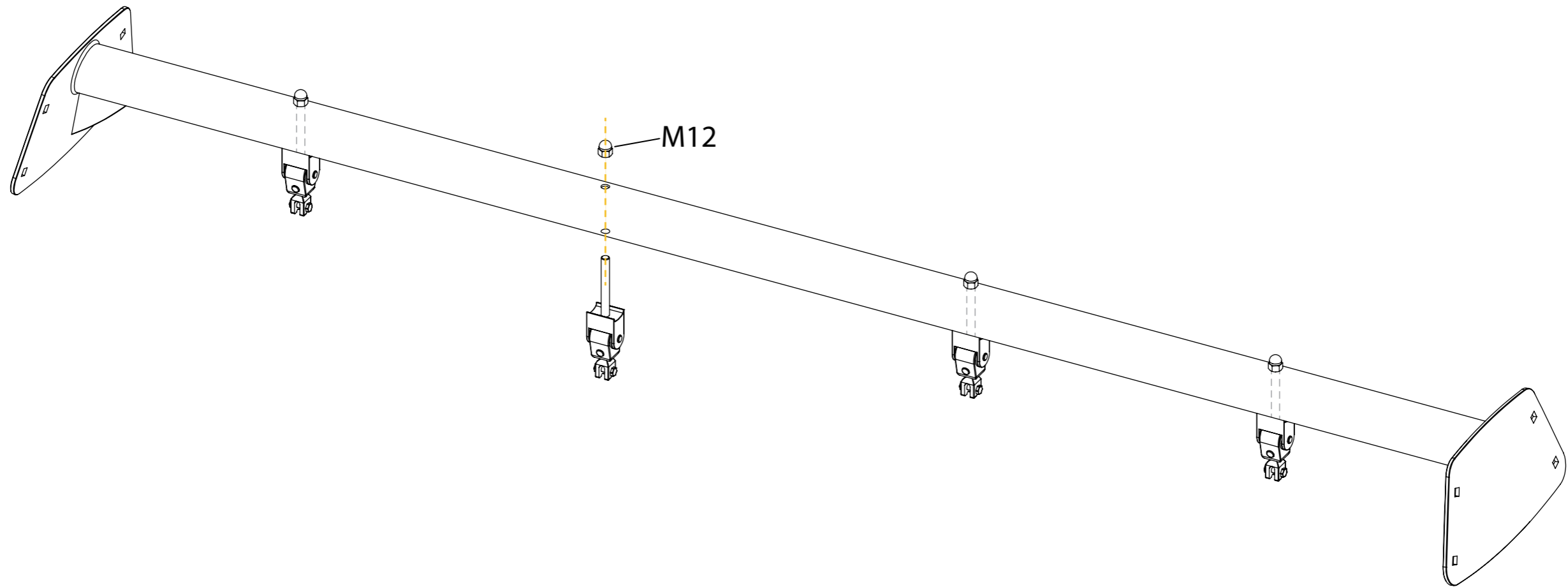


SSP 16



SSP 17





FLIP.PLAY

SSP 15-19 Manual / P1

REVISION: 2.1

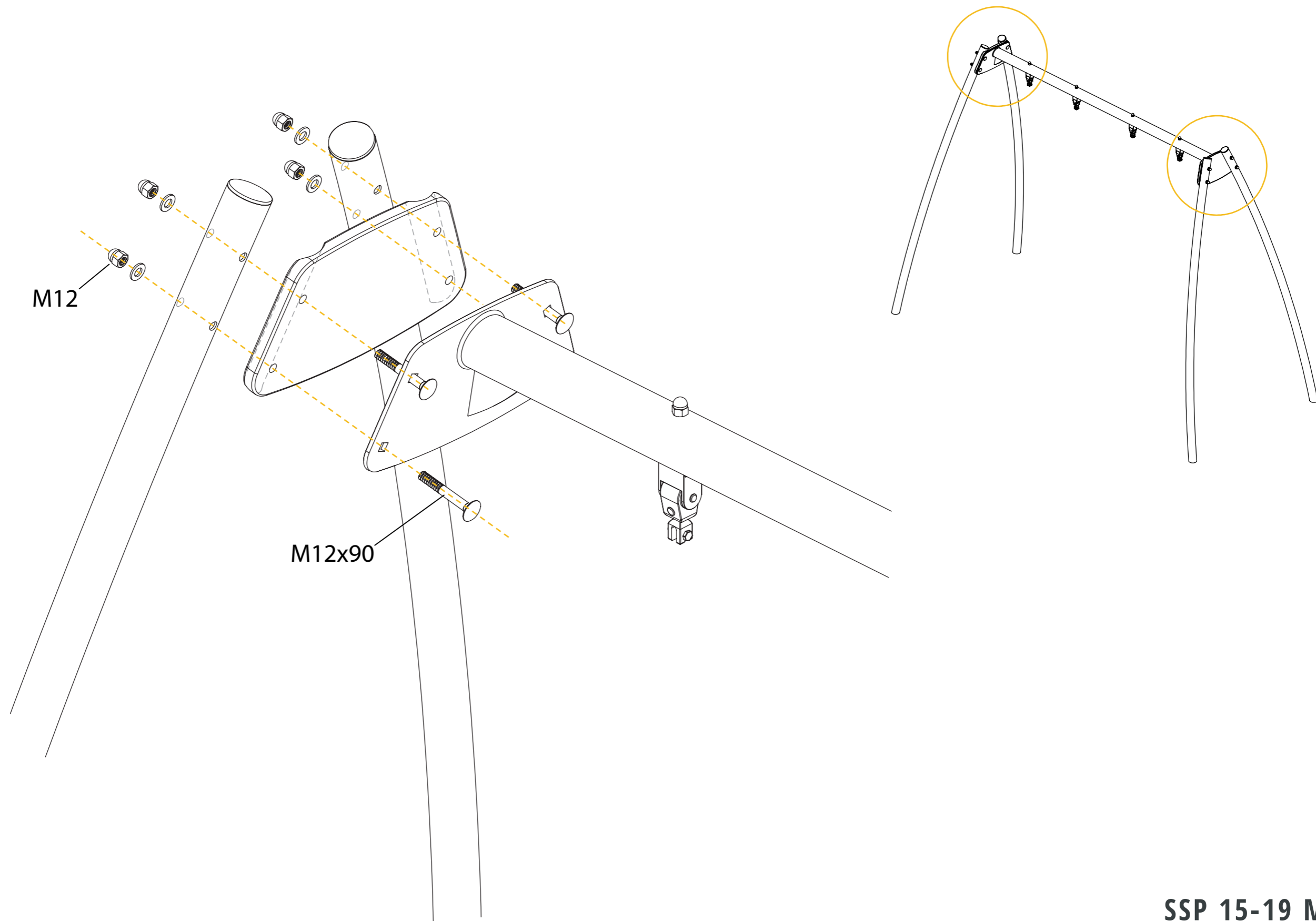
FLIPPLAY B.V.

DATE: 14-09-2018

INFO@FLIPPLAY.NL

SCALE 1:50 / FORMAT: A3

WWW.FLIPPLAY.NL



FLIP.PLAY

SSP 15-19 Manual / P2

REVISION: 2.1

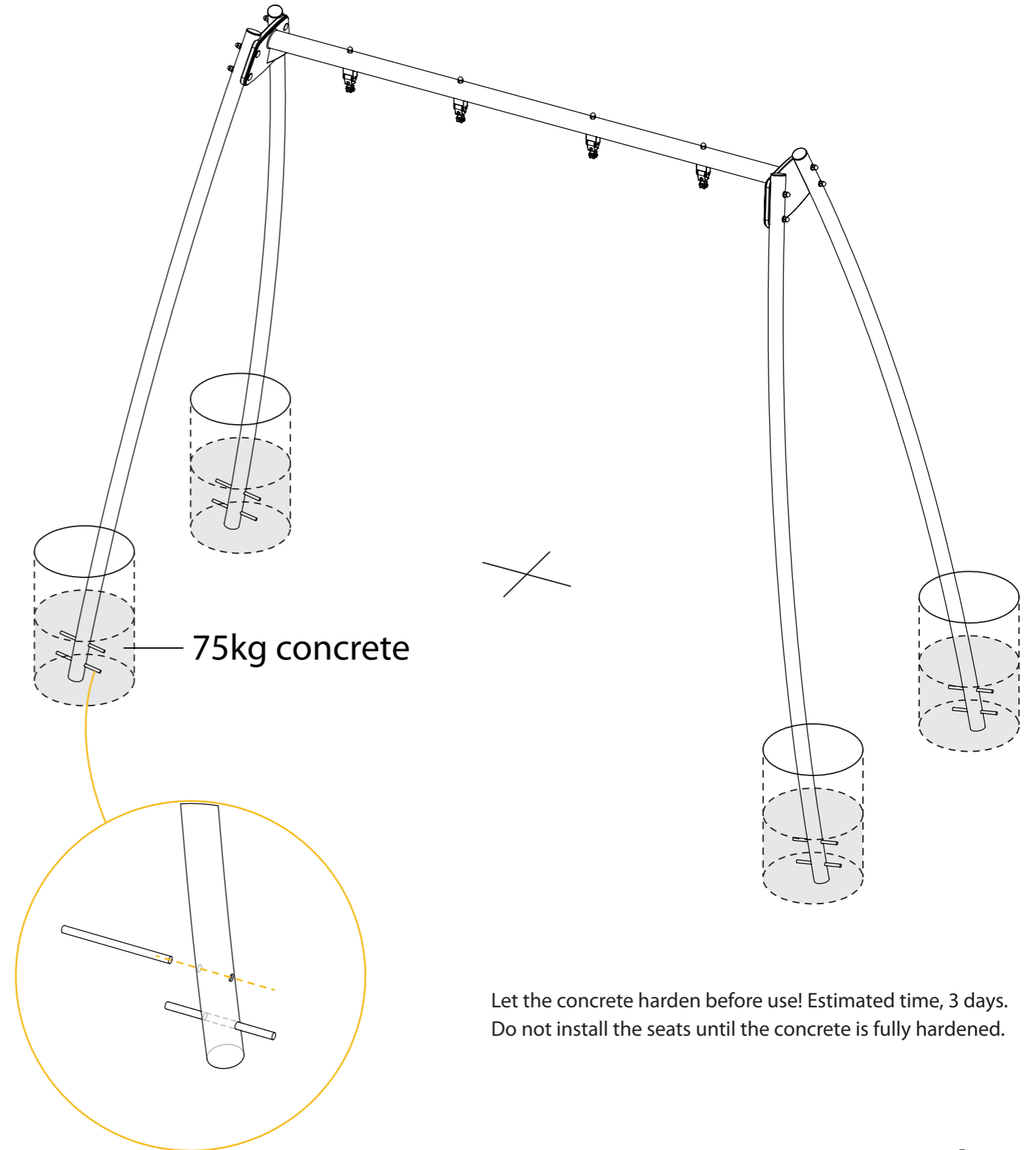
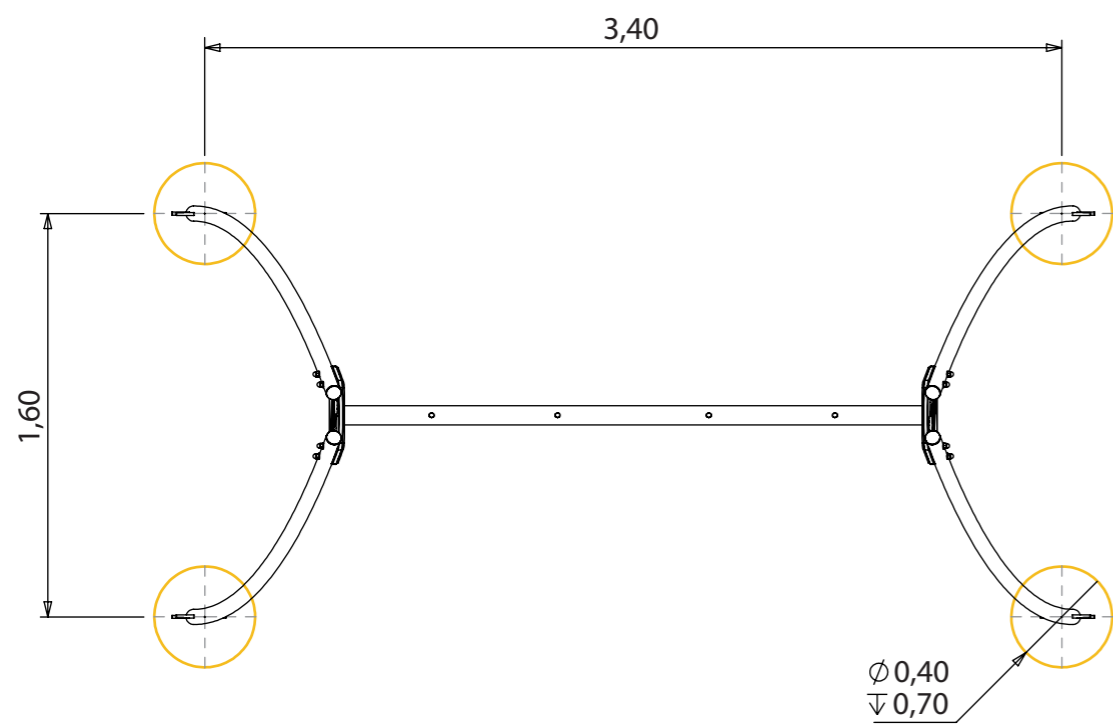
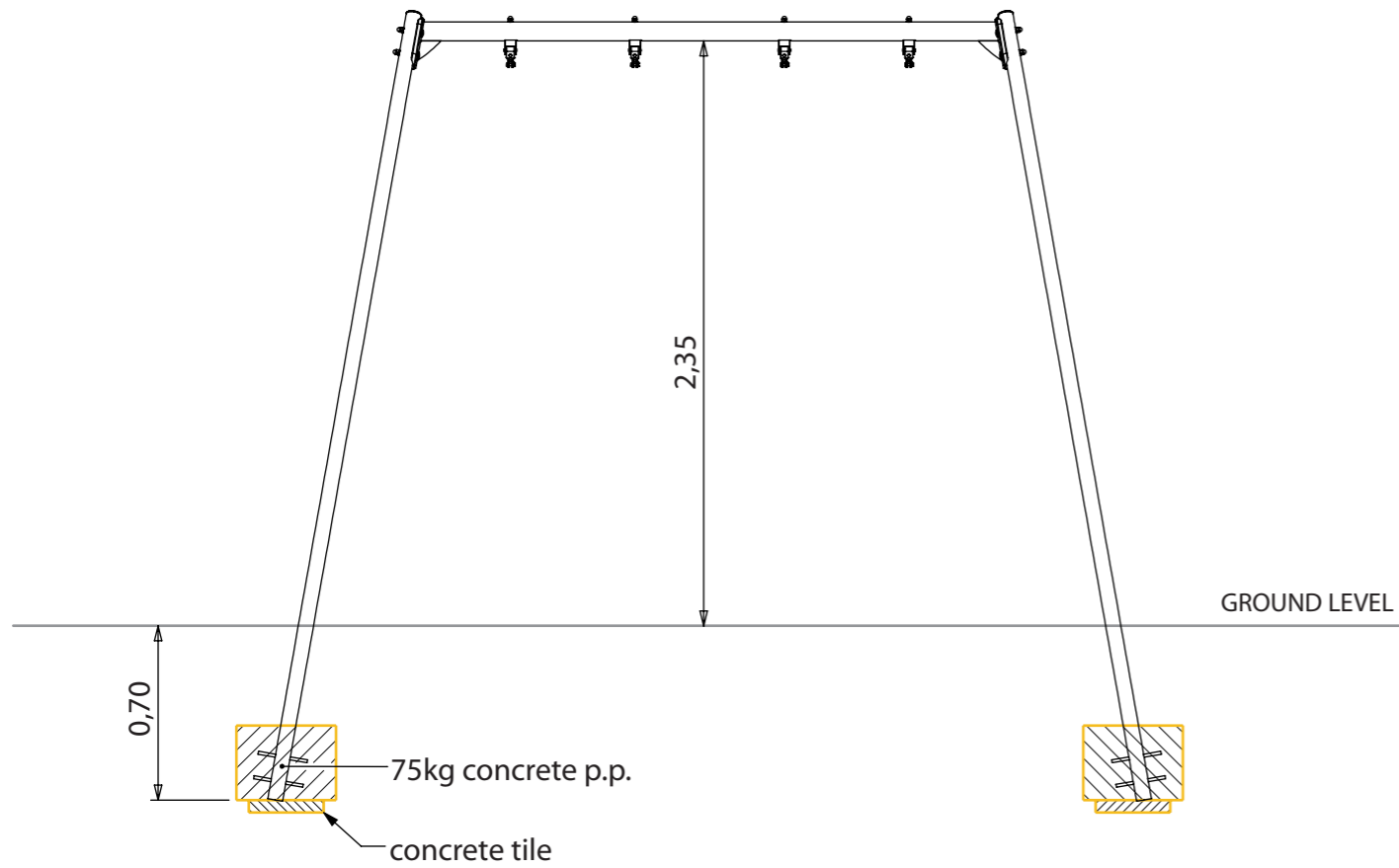
FLIPPLAY B.V.

DATE: 14-09-2018

INFO@FLIPPLAY.NL

SCALE 1:50 / FORMAT: A3

WWW.FLIPPLAY.NL



Let the concrete harden before use! Estimated time, 3 days.
Do not install the seats until the concrete is fully hardened.



SSP 15



SSP 16



SSP 17

