

FLIP.PLAY

SSP 11 Manual / P0

REVISION: 3.2

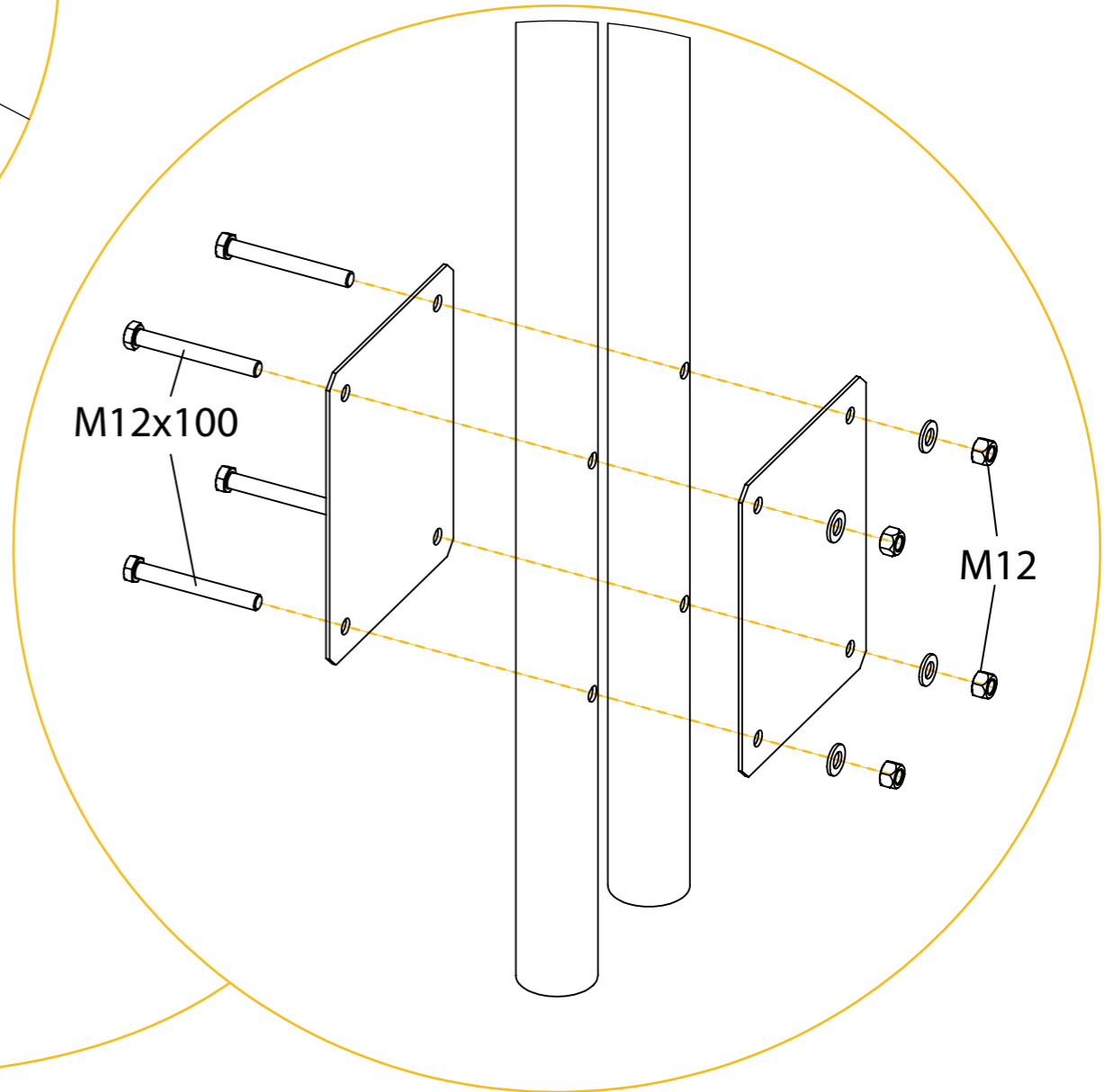
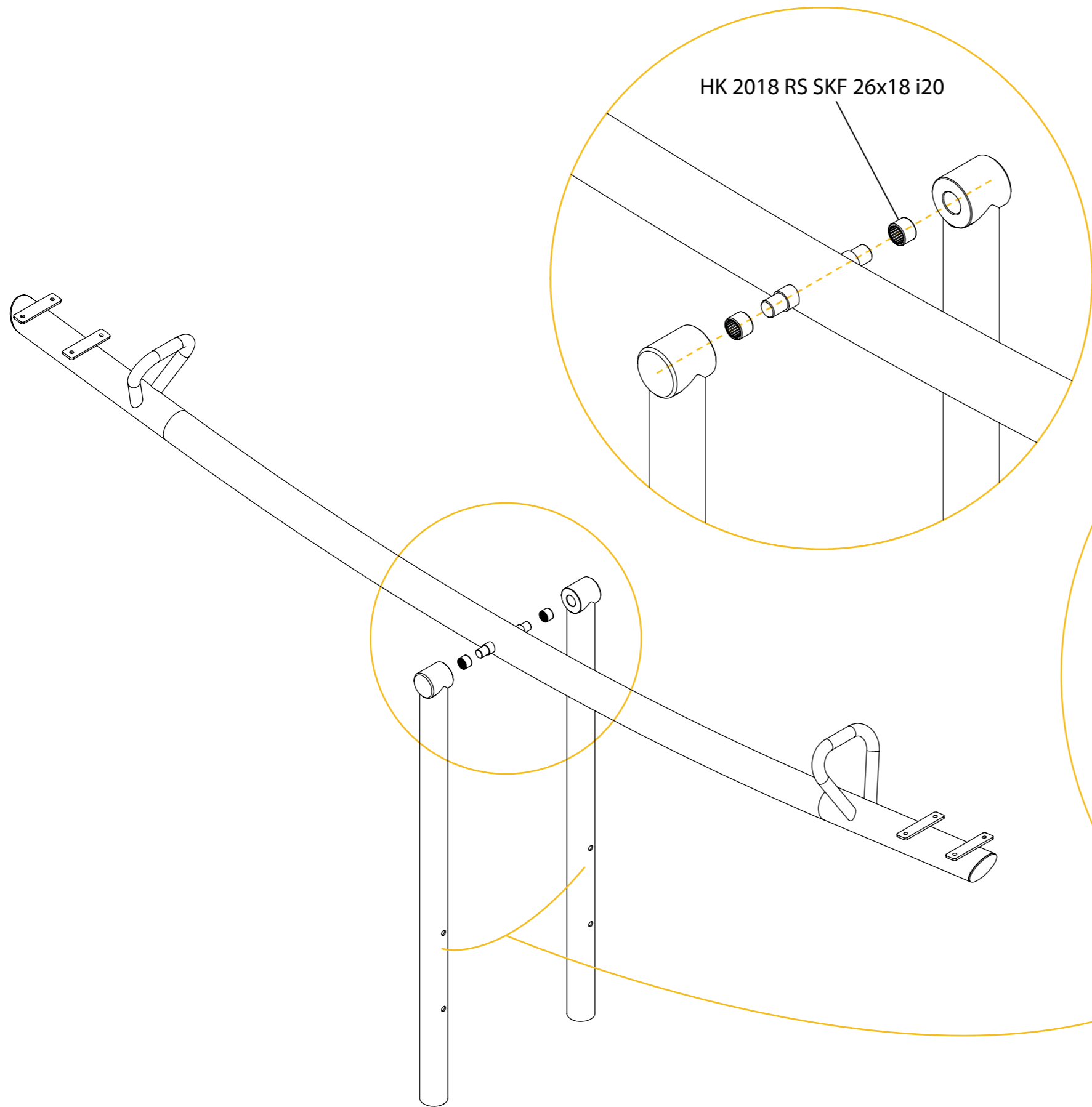
FLIPPLAY B.V.

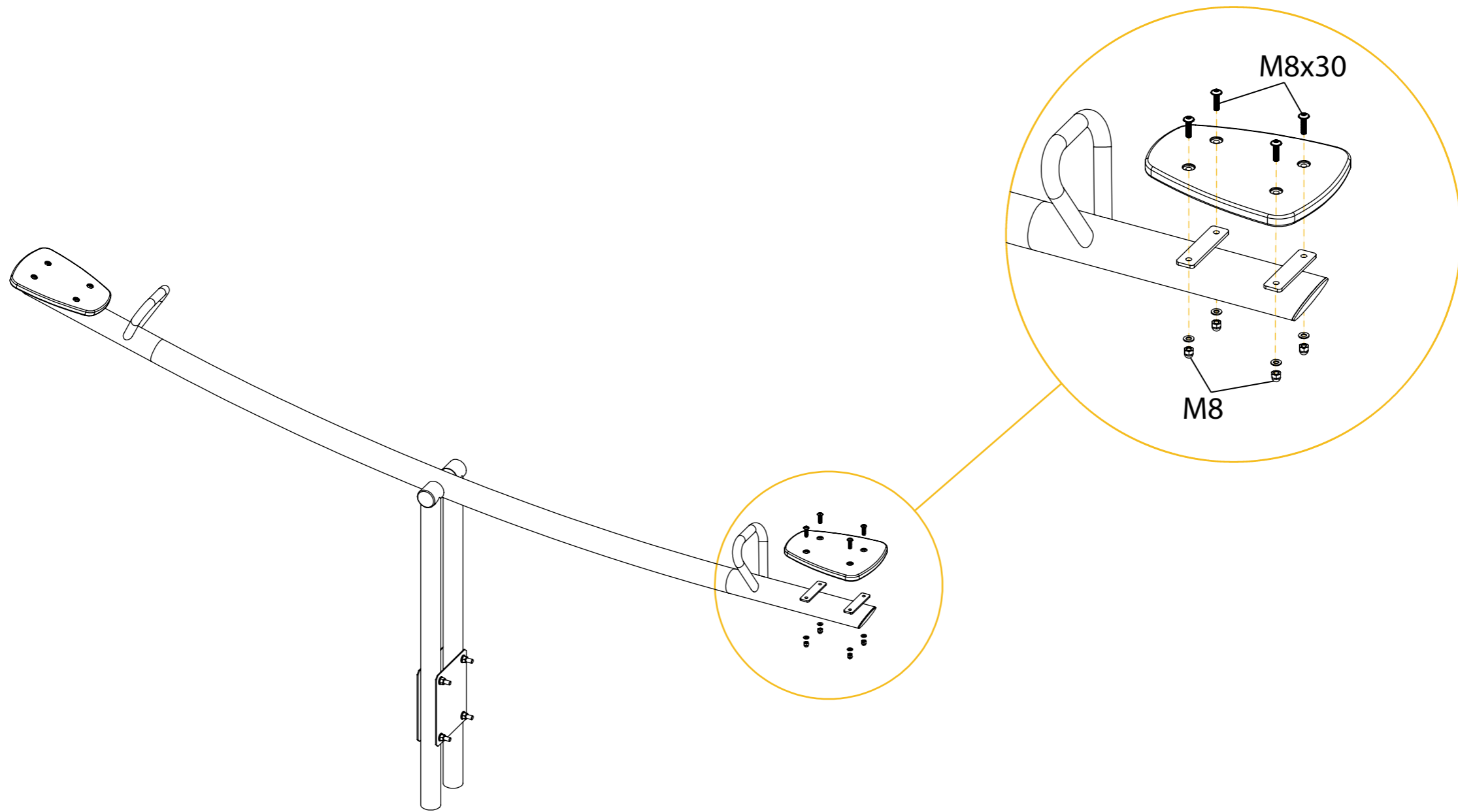
DATE: 13-11-2018

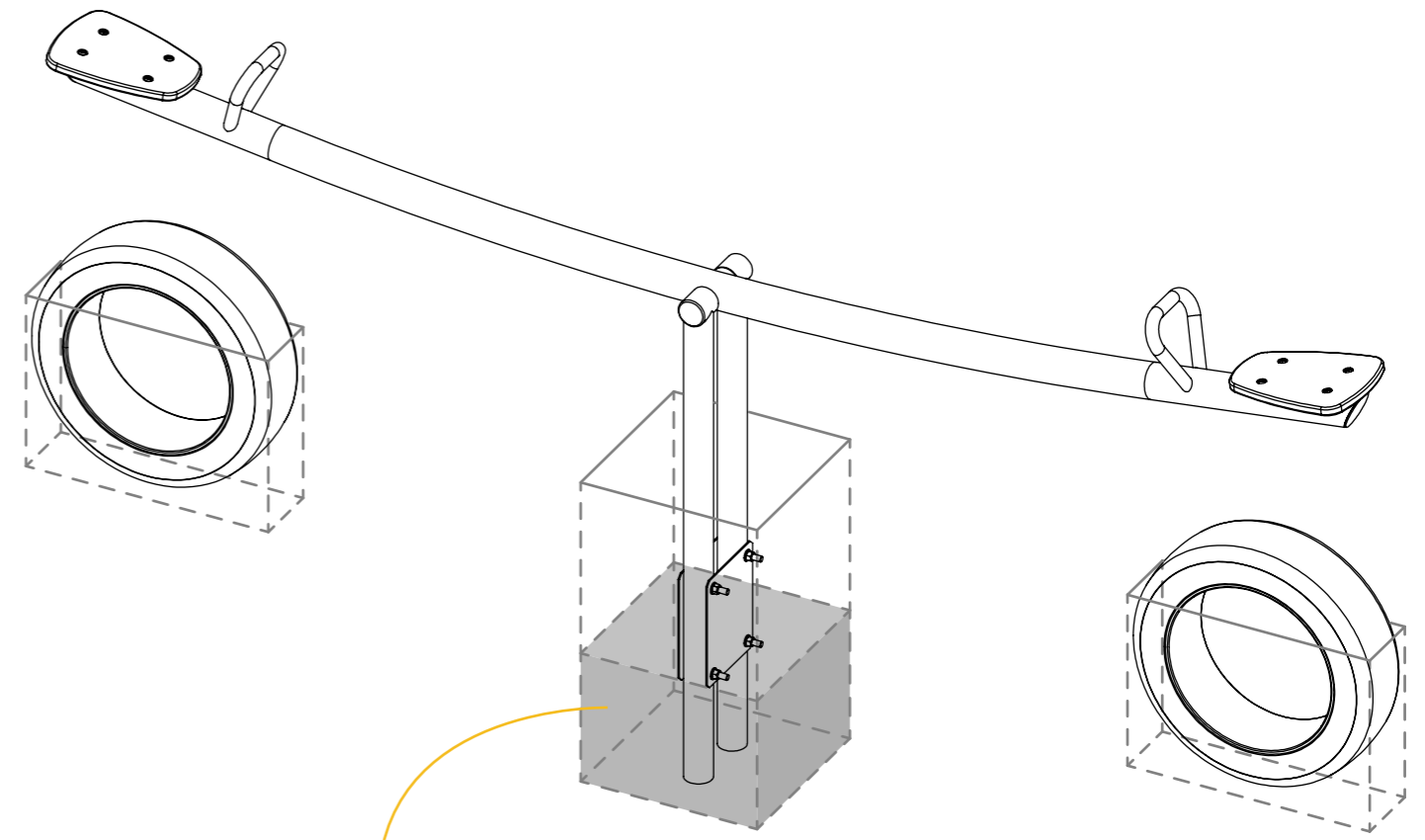
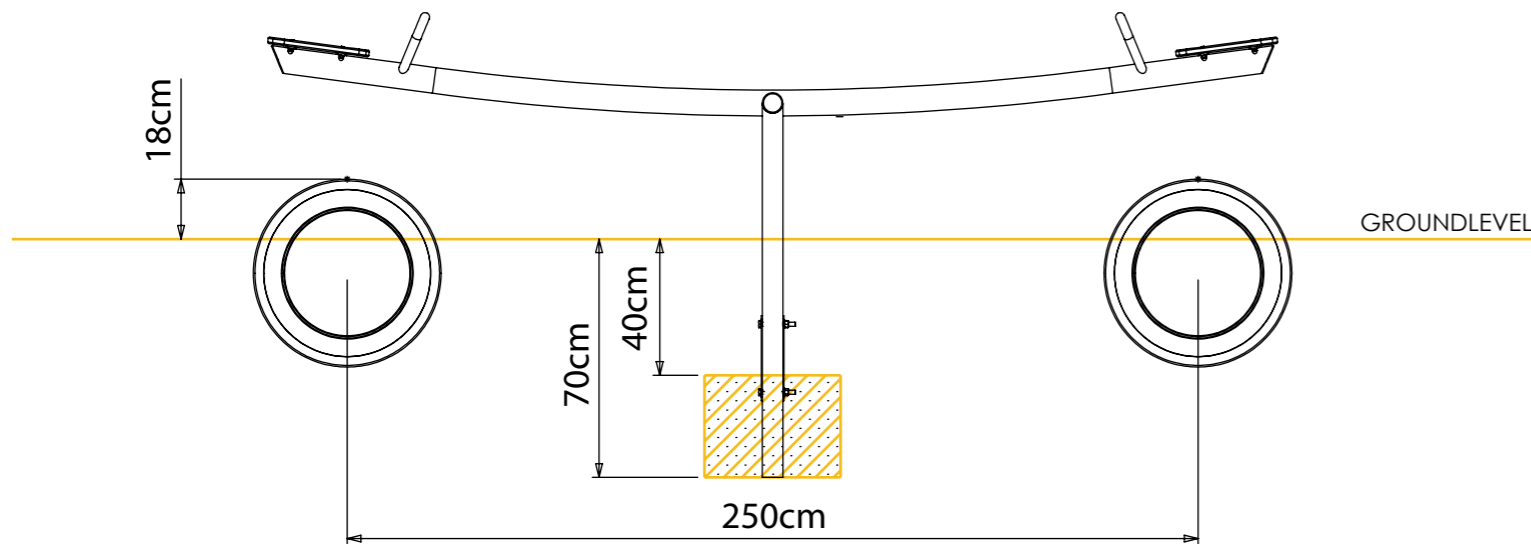
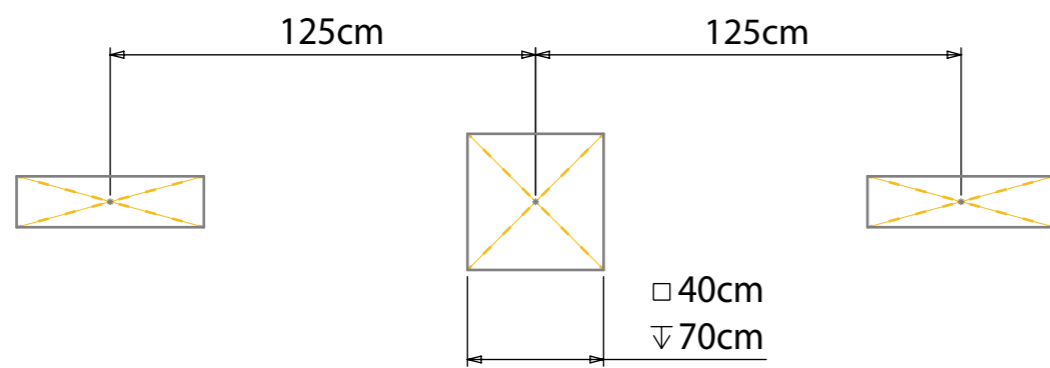
INFO@FLIPPLAY.NL

SCALE 1:15 / FORMAT: A3

WWW.FLIPPLAY.NL







100 kg concrete

Let the concrete harden before use! Estimated time, 3 days.