



FLIP.PLAY

SSP 20 Manual / P0

REVISION: 1.1

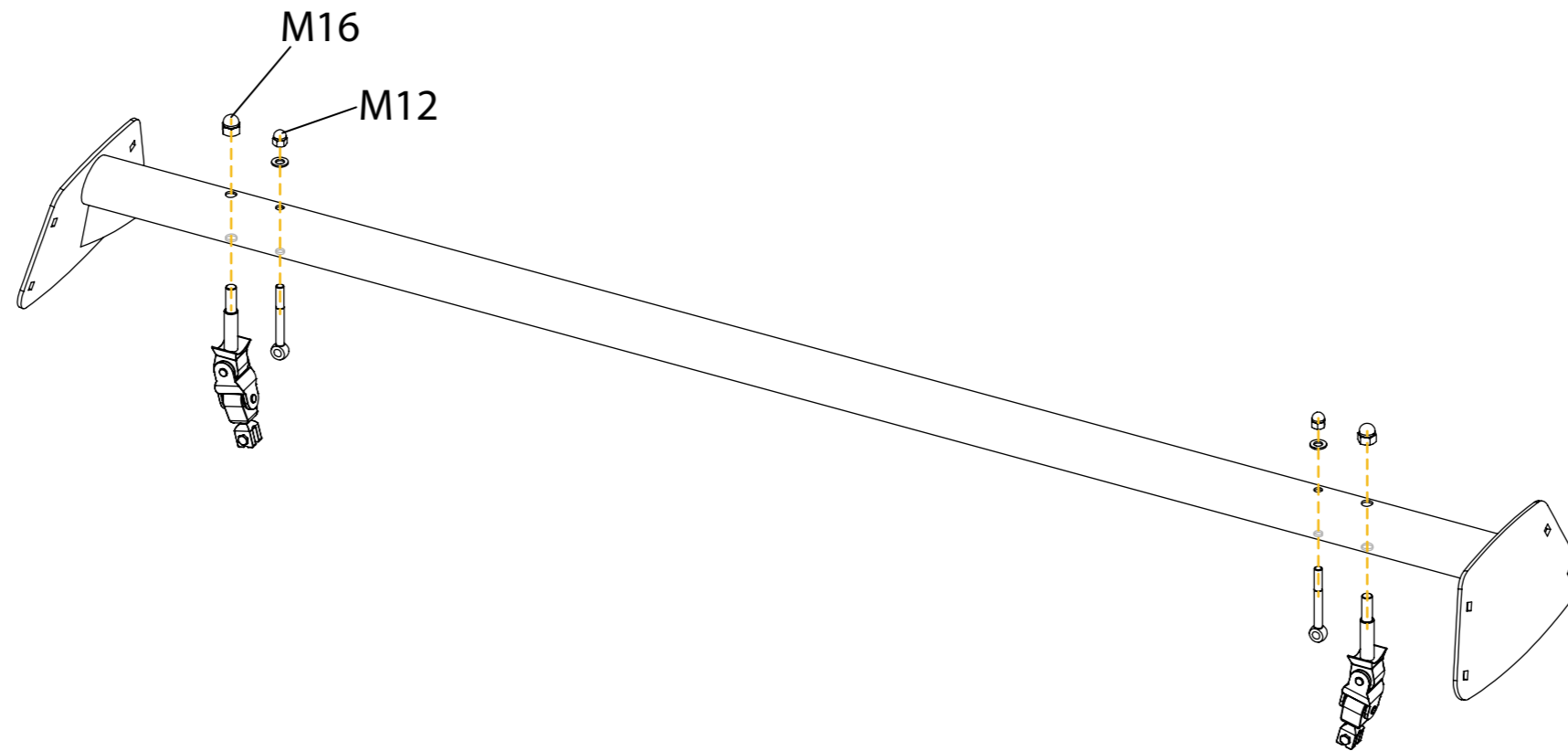
FLIPPLAY B.V.

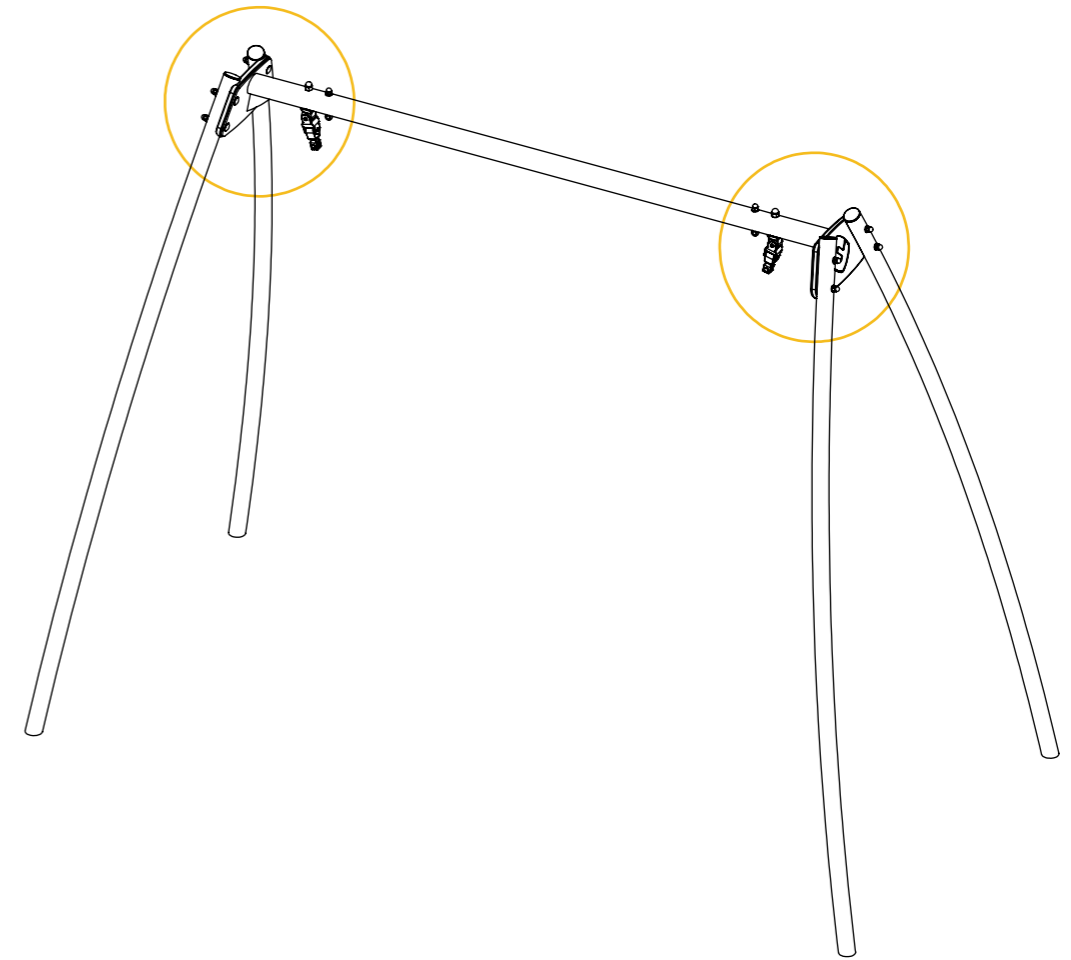
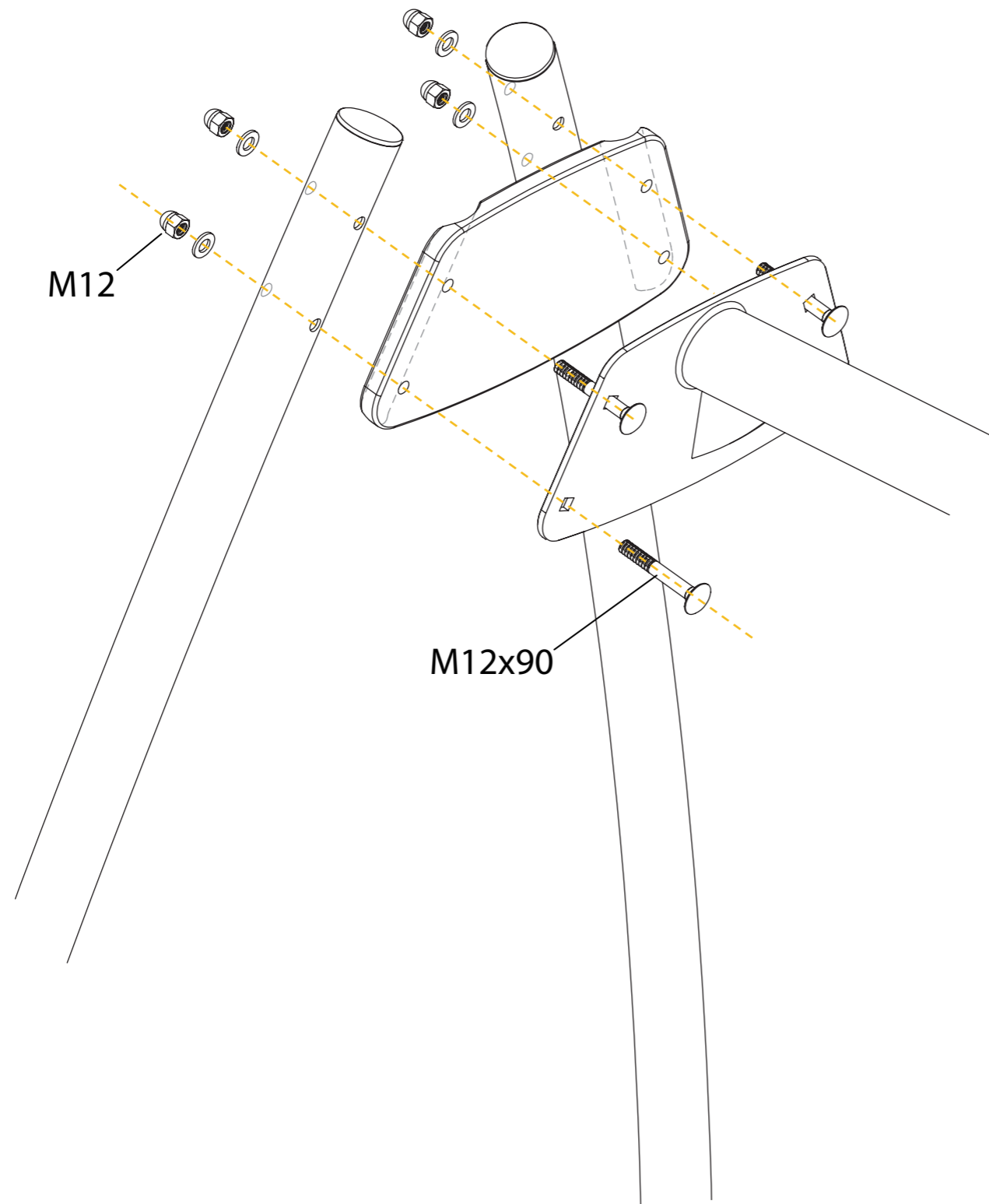
DATE: 15-11-2019

INFO@FLIPPLAY.NL

SCALE 1:10 / FORMAT: A3

WWW.FLIPPLAY.NL





FLIP.PLAY

SSP 20 Manual / P2

REVISION: 1.1

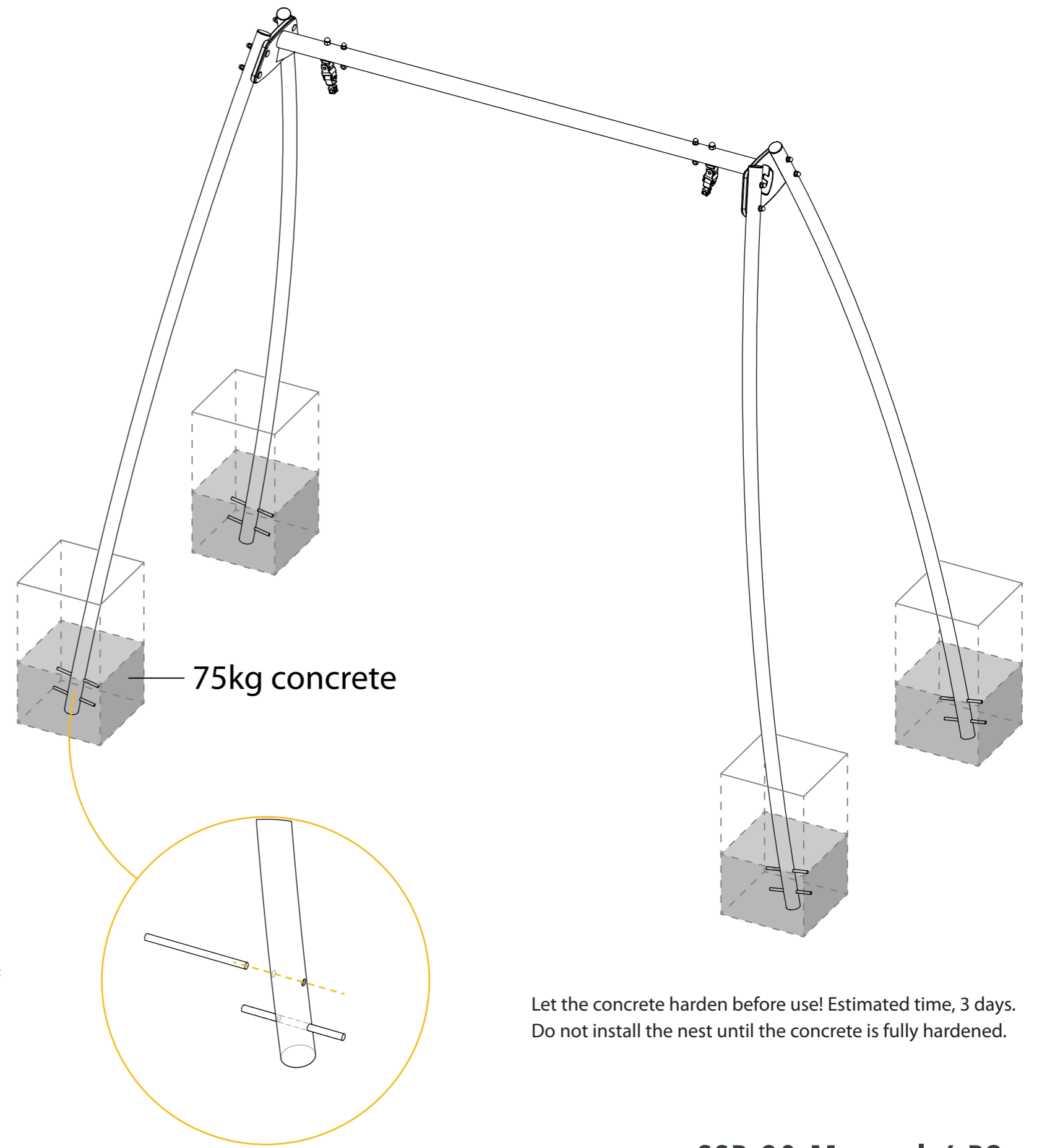
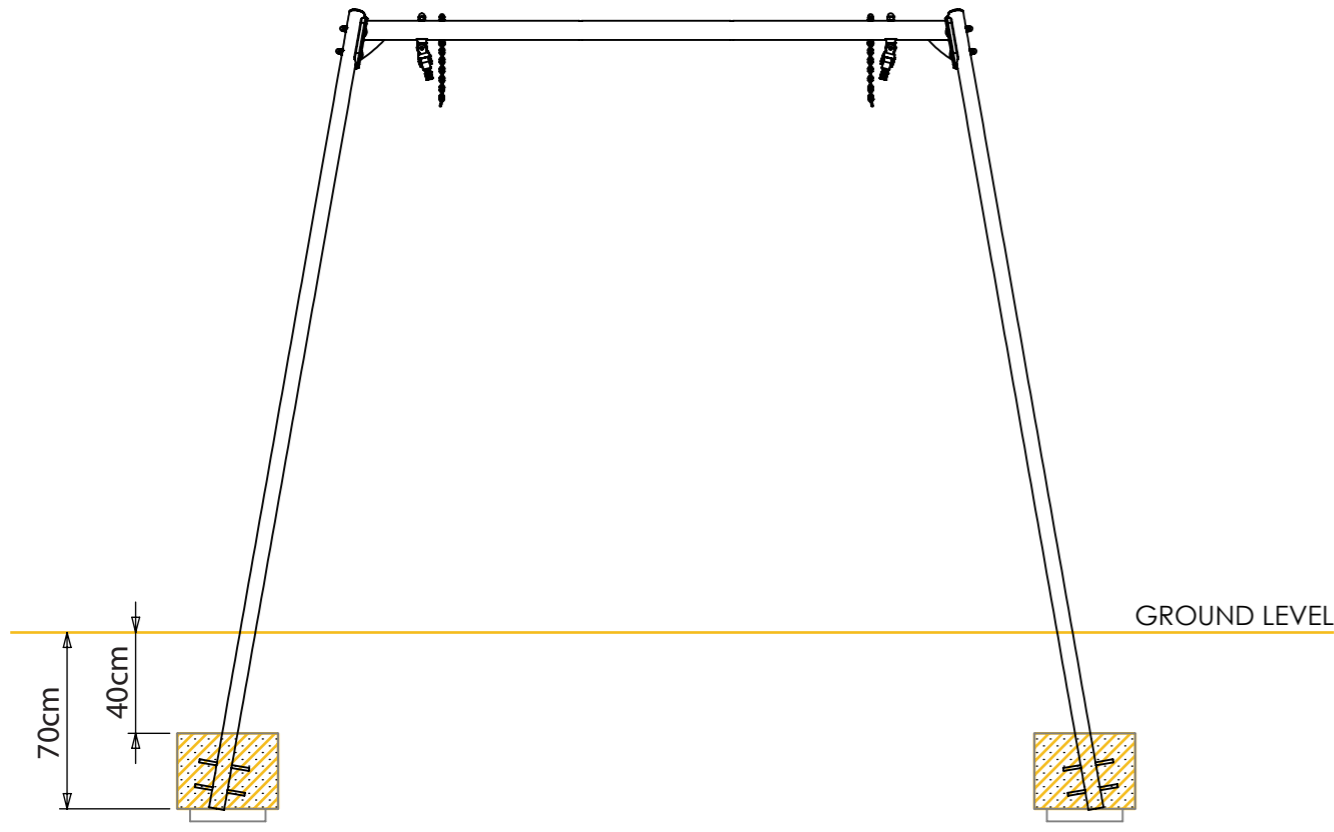
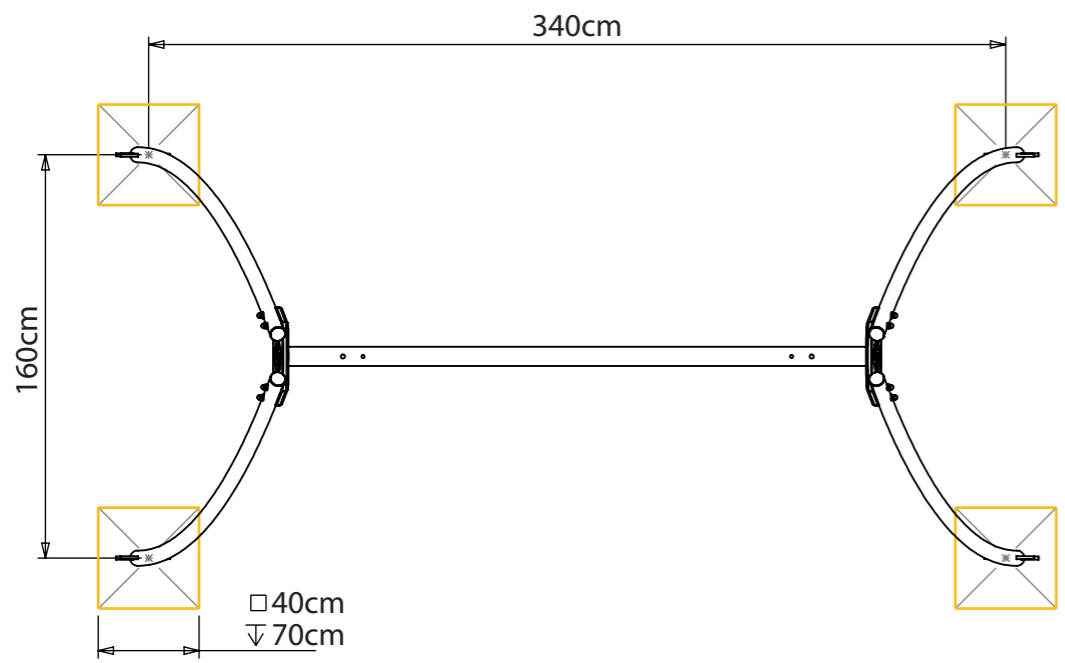
FLIPPLAY B.V.

DATE: 15-11-2019

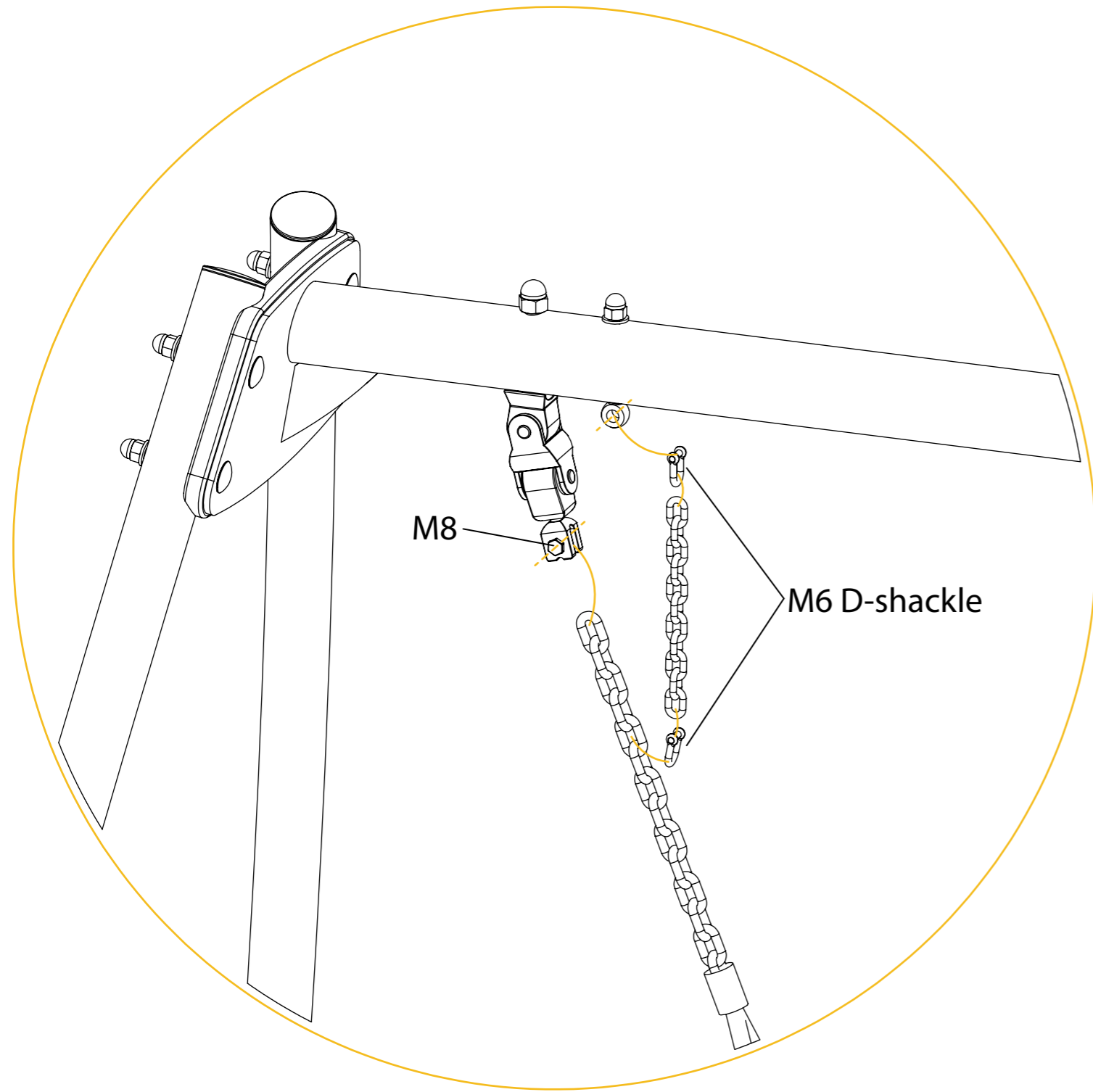
INFO@FLIPPLAY.NL

SCALE 1:5 / FORMAT: A3

WWW.FLIPPLAY.NL

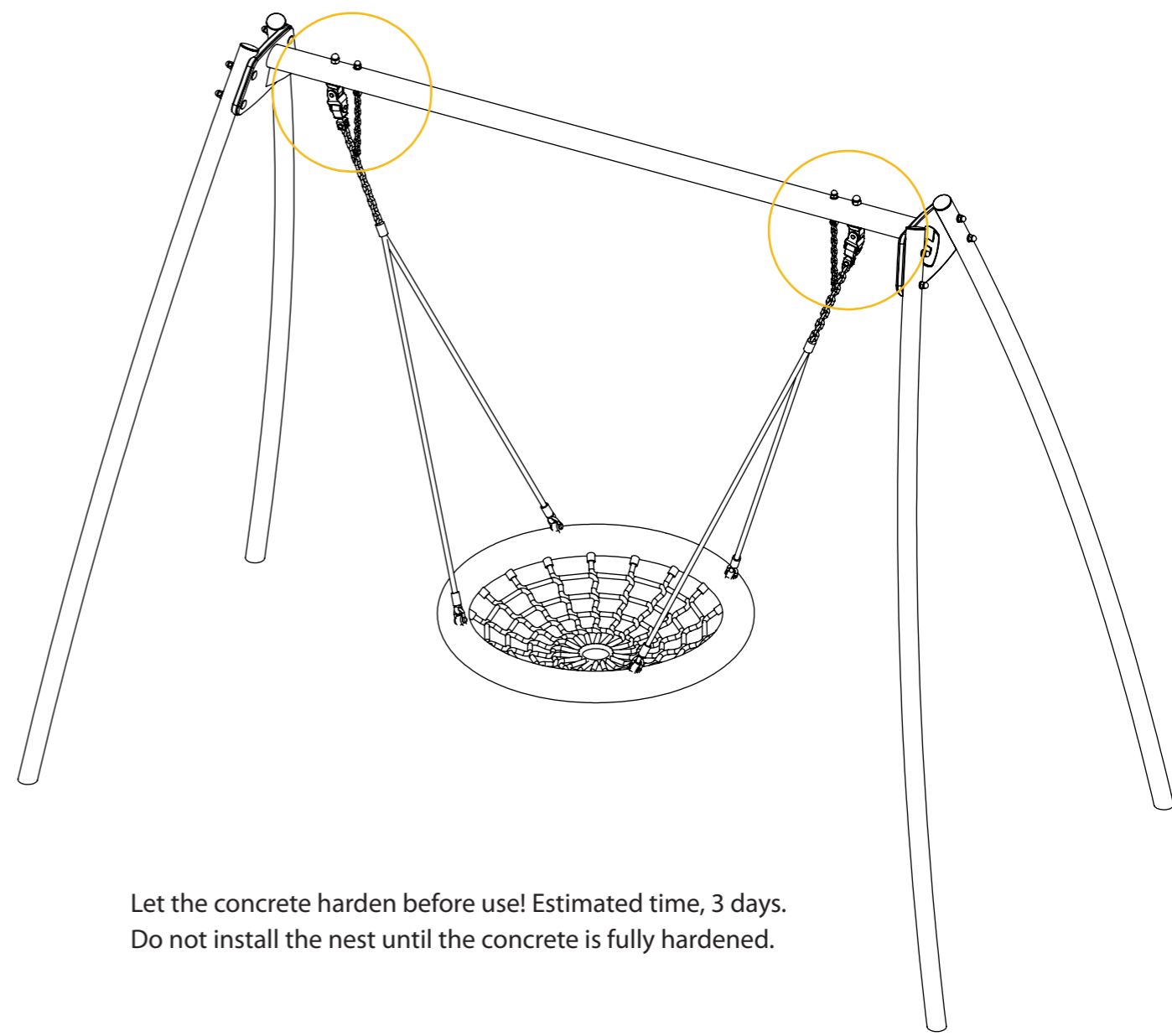


Let the concrete harden before use! Estimated time, 3 days.
Do not install the nest until the concrete is fully hardened.



M8

M6 D-shackle



Let the concrete harden before use! Estimated time, 3 days.
Do not install the nest until the concrete is fully hardened.